



# ***FM62429 Serial Data Control Dual Electronic Volume***

**Specification**

---

**May. 2008**

INFORMATION IN THIS DOCUMENT IS INTENDED AS A REFERENCE TO ASSIST OUR CUSTOMERS IN THE SELECTION OF SHANGHAI FUDAN MICROELECTRONICS CO., LTD PRODUCT BEST SUITED TO THE CUSTOMER'S APPLICATION; THEY DO NOT CONVEY ANY LICENSE UNDER ANY INTELLECTUAL PROPERTY RIGHTS, OR ANY OTHER RIGHTS, BELONGING TO SHANGHAI FUDAN MICROELECTRONICS CO., LTD OR A THIRD PARTY. WHEN USING THE INFORMATION CONTAINED IN THIS DOCUMENTS, PLEASE BE SURE TO EVALUATE ALL INFORMATION AS A TOTAL SYSTEM BEFORE MAKING A FINAL DECISION ON THE APPLICABILITY OF THE INFORMATION AND PRODUCTS. SHANGHAI FUDAN MICROELECTRONICS CO., LTD ASSUMES NO RESPONSIBILITY FOR ANY DAMAGE, LIABILITY OR OTHER LOSS RESULTING FROM THE INFORMATION CONTAINED HEREIN. SHANGHAI FUDAN MICROELECTRONICS CO., LTD PRODUCTS ARE NOT INTENDED FOR USE IN MEDICAL, LIFE SAVING, OR LIFE SUSTAINING APPLICATIONS. THE PRIOR WRITTEN APPROVAL OF SHANGHAI FUDAN MICROELECTRONICS CO., LTD IS NECESSARY TO REPRINT OR REPRODUCE IN WHOLE OR IN PART THESE DOCUMENTS. Future routine revisions will occur when appropriate, without notice. Contact Shanghai Fudan Microelectronics Co., Ltd sales office to obtain the latest specifications and before placing your product order. Please also pay attention to information published by Shanghai Fudan Microelectronics Co., Ltd by various means, including Shanghai Fudan Microelectronics Co., Ltd home page (<http://www.fmsh.com/>).

Please contact Shanghai Fudan Microelectronics Co., Ltd local sales office for the specification regarding the information in this documents or Shanghai Fudan Microelectronics Co., Ltd products.

#### Trademarks

Shanghai Fudan Microelectronics Co., Ltd name and logo, the “复旦” logo are trademarks or registered trademarks of Shanghai Fudan Microelectronics Co., Ltd or its subsidiaries in China.

Shanghai Fudan Microelectronics Co., Ltd, Printed in the China, All Rights Reserved.

# Product Overview

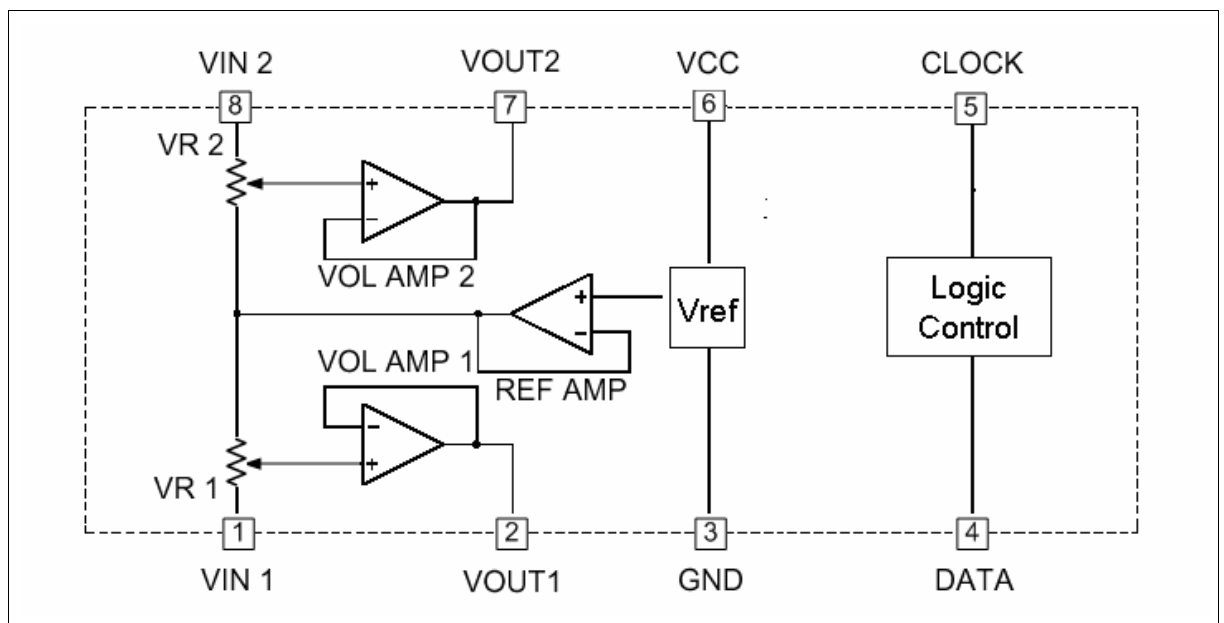
## Instruction

FMSH' FM62429 is a dual channel electronic volume controlled with 2-wire serial data. It is designed special to adjust the range of audio-digital. The build-in reference circuit can constitute an electronic volume with less external parts. The FM62429 is completely compatible with the M62429P/FP of Mitsubishi.

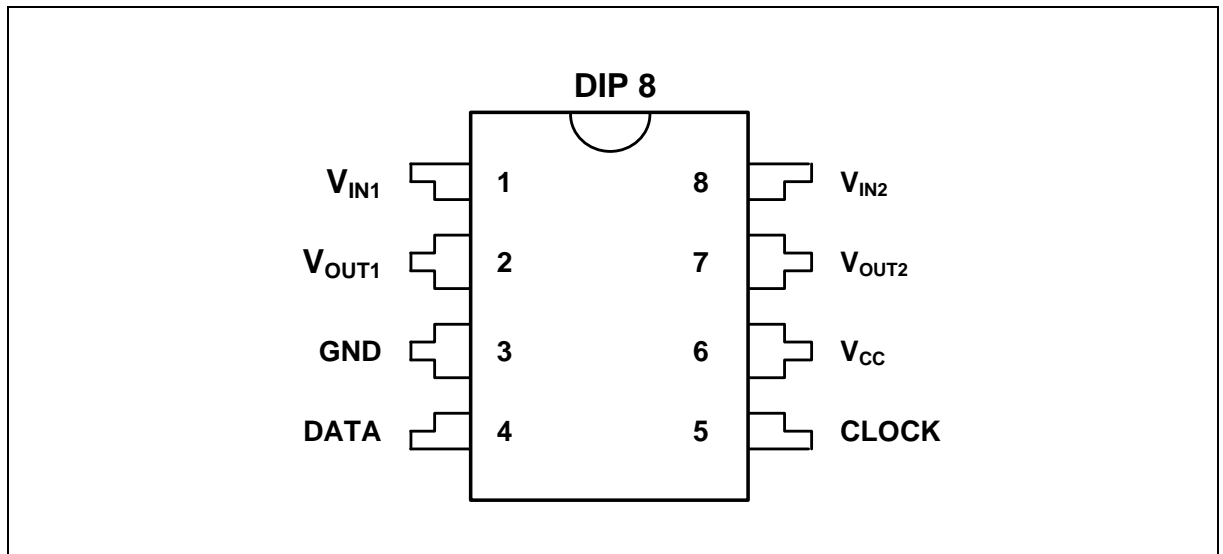
## Features

- ◆ Controlled with 2-wire serial data
- ◆ Independent control allowed in each channel
- ◆ Build-in reference circuit
- ◆ Gain range: 0dB to - 83dB(1dB/step), -  $\infty$
- ◆ Low noise and low distortion
- ◆ Package: DIP8

## Block Diagram



## Pin Assignment



## Pin Description

Pin	Symbol	Functions
1	$V_{IN1}$	Channel 1 input pin
2	$V_{OUT1}$	Channel 1 output pin
3	GND	GND
4	DATA	Control date input pin. Inputs date in synchronization with clock.
5	CLOCK	Clock input pin for transferring serial data.
6	$V_{CC}$	Power supply pin. Stabilize the pin with decoupling capacitor.
7	$V_{OUT2}$	Channel 2 output pin
8	$V_{IN2}$	Channel 2 input pin

# Characteristics

## Absolute Maximum Ratings

Symbol	Parameter	Value	Unit
$V_{CC}$	Supply voltage	6.0	V
PD	Power dissipation	625	mW
$T_{opr}$	Operating temperature	- 20 to + 75	°C
$T_{stg}$	Storage temperature	- 55 to + 125	°C

## Electrical Characteristics

( $V_{CC}=5V$ ,  $T_a=+25^{\circ}C$ , unless otherwise noted)

Symbol	Parameter	Test Conditions	Specification			Unit
			Min.	Typ.	Max.	
$I_{CC}$	Circuit Current		-	6	12	mA
$ATT_{MAX}$	Maximum Attenuation	$ATT = -\infty$	-	-90	-80	dB
$ATT_{ERR}$	Attenuation error	$ATT=0$	-2.0	0	2.0	dB
$V_{IM}$	Maximum input voltage	THD=1%, $ATT = -6dB$	1.5	1.7	-	Vrms
$V_{OM}$	Maximum output voltage	THD=1%	0.8	1.3	-	Vrms
$V_{NO1}$	Output noise voltage	$ATT=0$ , $R_g=0$ , JIS-A	-	4	10	$\mu Vrms$
$V_{NO2}$		$ATT = -\infty$ , $R_g=0$ , JIS-A	-	5	10	$\mu Vrms$
THD	Total harmonic distortion	$f=1kHz$ , $V_O=0.5Vrms$ , $ATT=0$	-	0.01	0.05	%
CS	Channel separation	$f=1kHz$ , JIS-A	-	-80	-70	dB

## DC Characteristics of Digital Block

Symbol	Parameter	Test Conditions	Specification			Unit	
			Min.	Typ.	Max.		
$V_{IL}$	"L" level input voltage	Data/CLK Pin	0	-	$0.2V_{CC}$	V	
$V_{IH}$	"H" level input voltage		$0.8V_{CC}$	-	$V_{CC}$	V	
$I_{IL}$	"L" level input current	Input voltage:0V	Data/CLK Pin	-10	-	10	$\mu A$
$I_{IH}$	"H" level input current	Input voltage:5V		-	-	10	$\mu A$

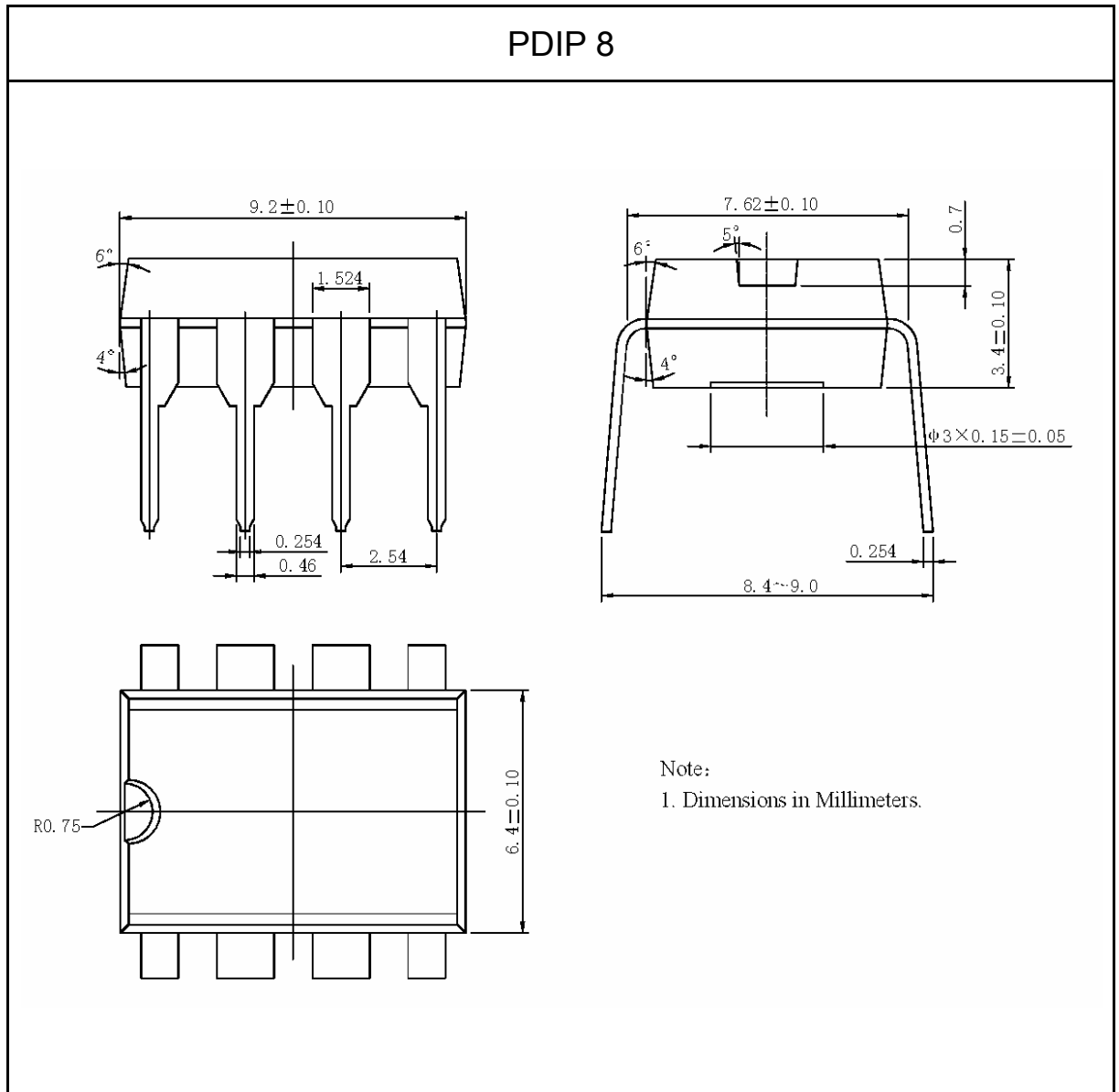
## AC Characteristics of Digital Block

Symbol	Parameter	Test Condition	Specification			Unit
			Min.	Typ.	Max.	
$t_{cr}$	Cycle time of clock	-	4	-	-	$\mu s$
$t_{WHC}$	Pulse width of clock ("H" level)	-	1.6	-	-	$\mu s$
$t_{WLC}$	Pulse width of clock ("L" level)	-	1.6	-	-	$\mu s$
$t_r$	Clock rising time	-	-	-	0.4	$\mu s$
$t_f$	Clock falling time	-	-	-	0.4	$\mu s$
$t_{SD}$	Data setup time	-	0.8	-	-	$\mu s$
$t_{HD}$	Data hold time	-	0.8	-	-	$\mu s$

## Ordering Information

Ordering code	Package	Operation temperature
FM62429-PD	PDIP8	Industrial Temperature -20°C ~ +75°C

# Package Dimensions





## Revision History

Version	Publication date	Pages	Paragraph or Illustration	Revise Description
1.0	Oct. 2007	10		Initial Release.
1.1	May. 2008	10	Sales and service	Updated the address of HK office.

# Sales and Service

## Shanghai Fudan Microelectronics Co., Ltd.

Address: Bldg No. 4, 127 Guotai Rd,  
Shanghai City China.

Postcode: 200433

Tel: (86-21) 6565 5050

Fax: (86-21) 6565 9115

## Shanghai Fudan Microelectronics (HK) Co., Ltd.

Address: Unit 506, 5/F., East Ocean Centre, 98 Granville Road,  
Tsimshatsui East, Kowloon, Hong Kong

Tel: (852) 2116 3288 2116 3338

Fax: (852) 2116 0882

## Beijing Office

Address: Room.1208, Bldg C,  
Zhongguancun Science and Technology Development Edifice,  
34 zhongguancun Street (South),  
Haidian District, Beijing City, China.

Tel: (86-10) 6212 0682 6213 9558

Fax: (86-10) 6212 0681

## Shenzhen Office

Address: Room.1301, Century Bldg, Shengtingyuan Hotel, Huaqiang Rd (North),  
Shenzhen City, China.

Postcode: 518028

Tel: (86-755) 8335 3211 8335 6511

Fax: (86-755) 8335 9011

**Web Site:** <http://www.fmsk.com/>