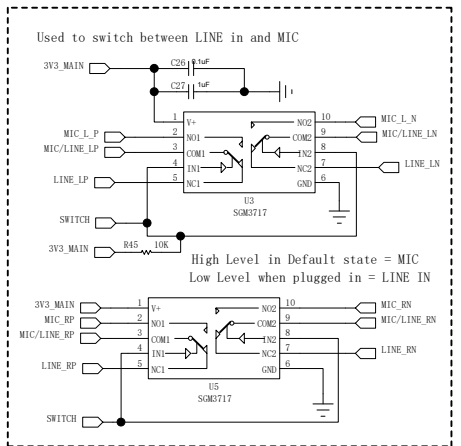
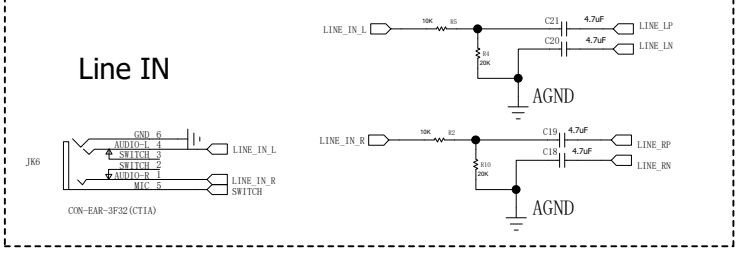
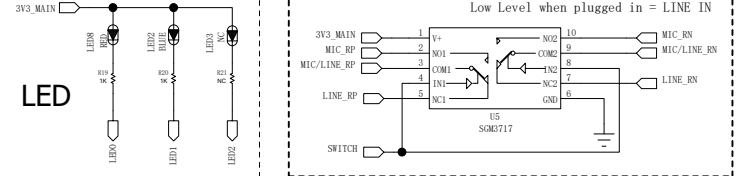
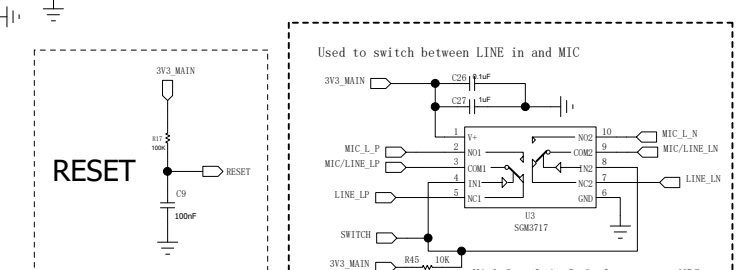
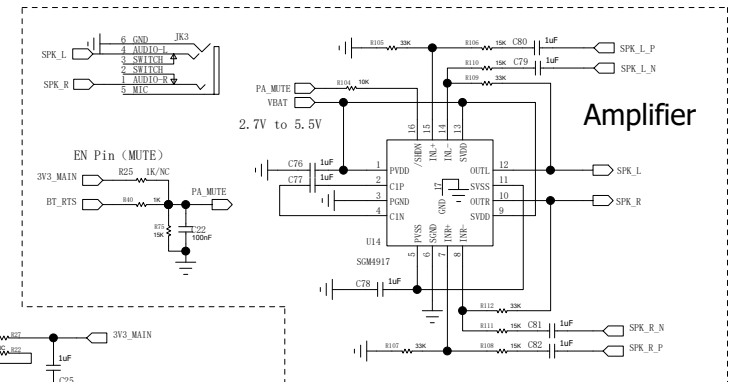
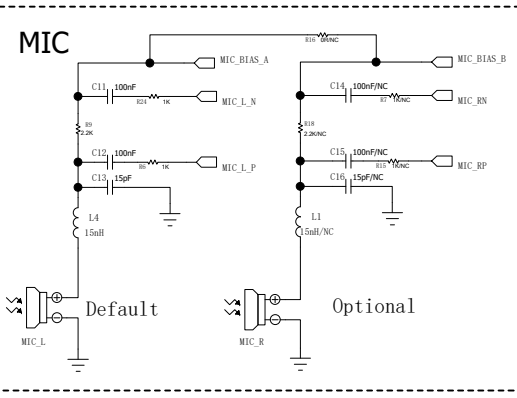
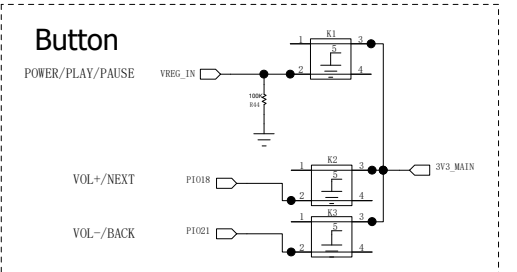
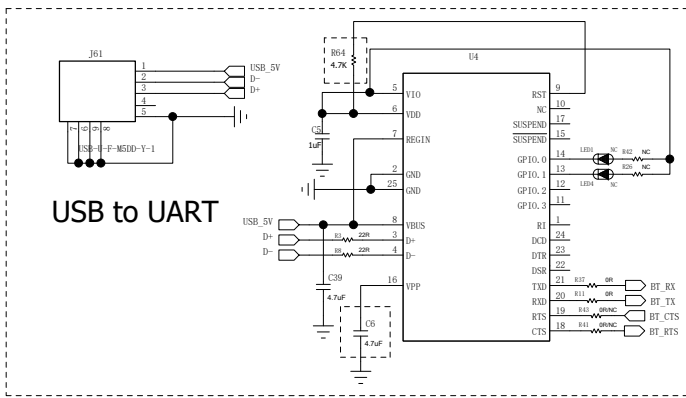
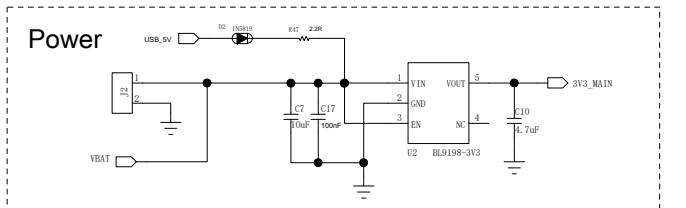
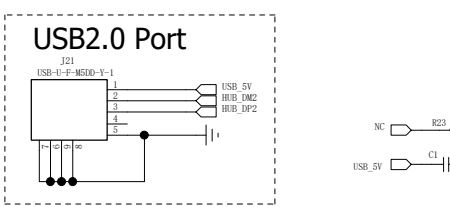
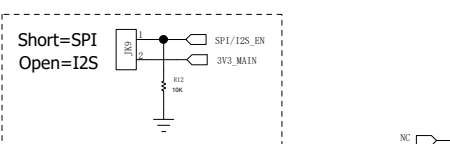
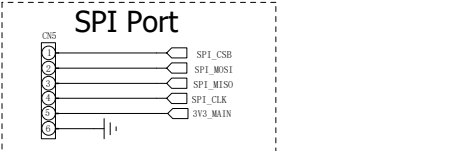
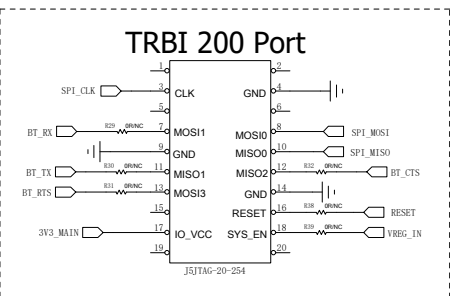
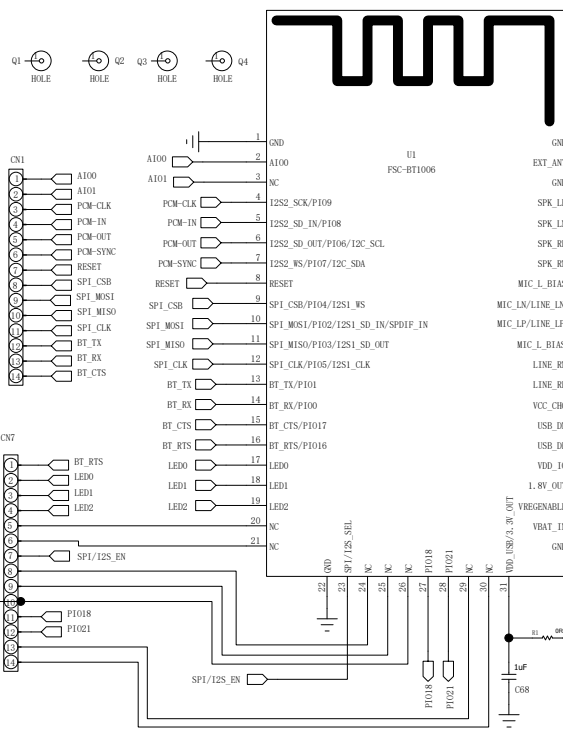
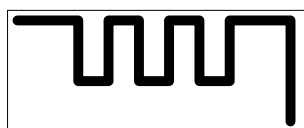


REVISION RECORD			
LTR	ECO NO:	APPROVED:	DATE:

Development board version: FSC-DB102 V1.4
Module model: FCS-BT1006A



COMPANY:		Feasyscom		
TITLE: FSC-DB102 (BT1006A) DK Board SCH				
DRAWN: Fish	DATED: 20190723	CODE:	SIZE: C	DRAWING NO:
CHECKED:	DATED:	REV: 1.4	SHEET: 1 OF 1	
QUALITY CONTROL:	DATED:	SCALE:		
RELEASED:	DATED: 20190723	SHEET: 1 OF 1		